



Architectural Millwork

The ancient Greeks were the first to accent their structures with moldings meant solely to beautify surfaces. American craftsmen of the 19th century refined their wood-carved ornamentation in Victorian homes and palaces. Today we reproduce these antique patterns in heart pine, heart cypress and wild black cherry using skilled operators, special steel and the best equipment.


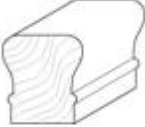
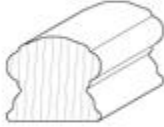
Our decorative wood moldings are architecturally drawn and are designed to classic proportions. A variety of stock molding profiles is available for our clients.




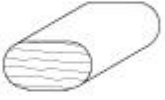
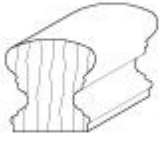


Any stair part or molding is available to match.



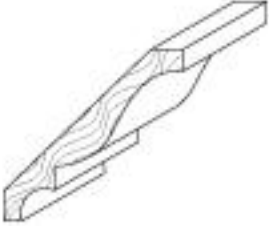
We are always happy to work with any member of the building team on custom patterns to guarantee your vision for beautiful surroundings. If you do not see a profile that matches your design taste, please contact a Goodwin Heart Pine representative for information on custom molding pieces. *Some of our current product offerings are listed below.*





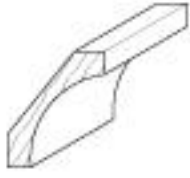
Handrails

 <p>6010 Colonial handrail 2-1/4" by 2-3/8" DWG» DXF» JPG» PDF»</p>	 <p>6210 Classic handrail 2-1/4" by 2-7/16" »DWG »DXF »JPG »PDF</p>	 <p>6810 Georgian handrail 2-5/8" by 2-3/8" »DWG »DXF »JPG »PDF</p>
--	--	---



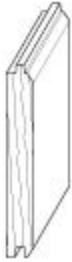
 <p>6811 Banister rail 2-5/8" by 3" » DWG » DXF » JPG » PDF</p>	 <p>6812 Hand/porch rail 11/16" by 4-5/16" » DWG » DXF » JPG » PDF</p>	 <p>6813 Massive handrail 3-3/16" by 2-1/2" » DWG » DXF » JPG » PDF</p>
 <p>8456 Porch rail 2-1/4" by 1-1/4" » DWG » DXF » JPG » PDF</p>	 <p>8850 Handrail 2-1/2" by 2-5/8" » DWG » DXF » JPG » PDF</p>	

Crown Molding

 <p>8001 Crown molding 11/16" by 4-5/16" » DWG » DXF » JPG » PDF</p>	 <p>8009 Crown molding 1/2" by 2-15/16" » DWG » DXF » JPG » PDF</p>	 <p>8012 Crown molding 1/2" by 3-9/16" » DWG » DXF » JPG » PDF</p>
---	--	--

 <p>8013 Crown molding 1/2" by 3-11/16" »DWG »DXF »JPG »PDF</p>	 <p>8014 Crown molding 1/2" by 2-7/16" »DWG »DXF »JPG »PDF</p>	 <p>8019 Crown molding 11/16" by 2-1/8" »DWG »DXF »JPG »PDF</p>
 <p>8020 Crown molding 7/16" by 2-1/4" »DWG »DXF »JPG »PDF</p>	 <p>8028 Crown molding 5/8" by 2-3/8" »DWG »DXF »JPG »PDF</p>	

Paneling

 <p>8812 Shiplap siding 3/4" by 5-1/2" »DWG »DXF »JPG »PDF</p>	 <p>8814 Double-bead paneling 3/4" by 3-9/16" »DWG »DXF »JPG »PDF</p>	 <p>8815 V-Joint paneling 3/4" by 5-3/8" »DWG »DXF »JPG »PDF</p>
---	--	---

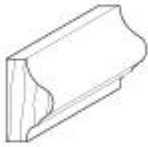


8821 Double-groove molding
3/4" by 3-1/2"
[»DWG](#) [»DXF](#) [»JPG](#) [»PDF](#)

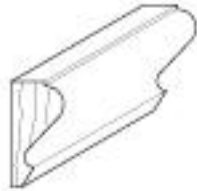


8822 Single-bead paneling
3/4" by 3-1/2"
[»DWG](#) [»DXF](#) [»JPG](#) [»PDF](#)

Panel Molding



8171 Panel molding
7/8" by 1-1/2"
[»DWG](#) [»DXF](#) [»JPG](#) [»PDF](#)

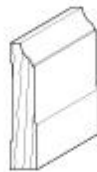


8172 Panel molding
11/16" by 1-3/8"
[»DWG](#) [»DXF](#) [»JPG](#) [»PDF](#)

Casings




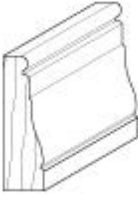
8710 Casing
11/16" by 2-1/2"
[»DWG](#) [»DXF](#) [»JPG](#) [»PDF](#)





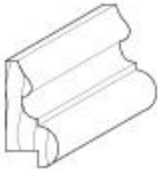
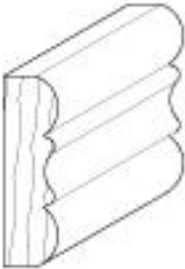

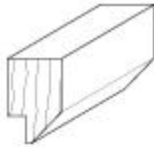
8711 Casing (was 8712)
3/4" by 3-9/16"
[»DWG](#) [»DXF](#) [»JPG](#) [»PDF](#)

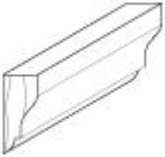
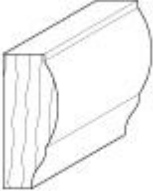
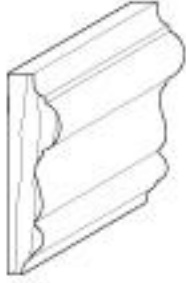
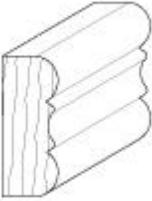


8714 Casing
3/4" by 3-5/8"
[»DWG](#) [»DXF](#) [»JPG](#) [»PDF](#)

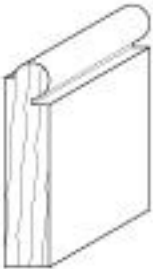
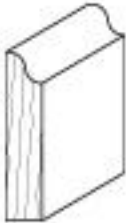
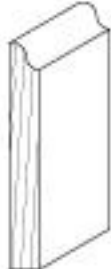
 <p>8715 Casing 1-1/8" by 4" »DWG »DXF »JPG »PDF</p>	 <p>8717 Casing 3/4" by 2-1/2" »DWG »DXF »JPG »PDF</p>	
---	---	--

Chair Rail

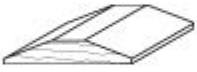



 <p>8141 Screen molding 3/4" by 1-7/8" »DWG »DXF »JPG »PDF</p>	 <p>8173 Wainscot cap 1" by 2" »DWG »DXF »JPG »PDF</p>	 <p>8220 Wainscot cap 1" by 2-1/16" »DWG »DXF »JPG »PDF</p>
 <p>8254 Double-edge chair rail 3/4" by 2-5/8" »DWG »DXF »JPG »PDF</p>	 <p>8255 Wainscot cap 1-1/4" by 2-3/4" »DWG »DXF »JPG »PDF</p>	 <p>8402 Cap trim 1" by 1-9/16" »DWG »DXF »JPG »PDF</p>

 <p>8572 Screen molding 1/2" by 1-1/8" »DWG »DXF »JPG »PDF</p>	 <p>8631 Chair rail 1" by 2-1/2" »DWG »DXF »JPG »PDF</p>	 <p>8633 3/4" by 2-13/16" »DWG »DXF »JPG »PDF</p>
 <p>8634 Double-edge molding 1-1/16" by 2-5/8" »DWG »DXF »JPG »PDF</p>		

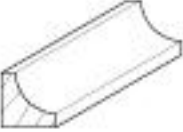
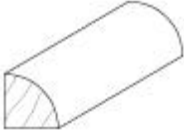
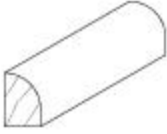
Base Molding

 <p>8381 Beaded base 3/4" by 3-9/16" »DWG »DXF »JPG »PDF</p>	 <p>8382 OG base 3/4" by 3-1/2" »DWG »DXF »JPG »PDF</p>	 <p>8383 OG base 3/4" by 5-9/16" »DWG »DXF »JPG »PDF</p>
---	--	---

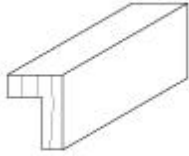
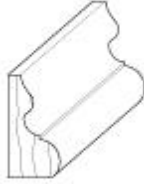
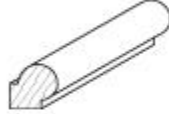
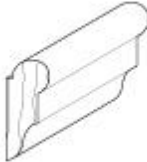
Transition Pieces

 <p>8277 Threshold 11/16" by 3-9/16" »DWG »DXF »JPG »PDF</p>	 <p>8279 Threshold 1" by 4-1/2" »DWG »DXF »JPG »PDF</p>	 <p>8701 Square nose reducer 5/8" by 1-15/16" »DWG »DXF »JPG »PDF</p>
 <p>8702 Reducer 13/16" by 2-3/16" »DWG »DXF »JPG »PDF</p>		


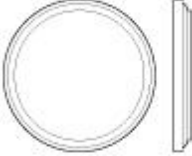
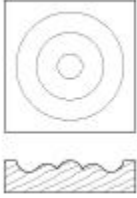
Small Moldings

 <p>8058 Cove molding 3/4" by 3/4" »DWG »DXF »JPG »PDF</p>	 <p>8062 Quarter-round 3/4" by 3/4" »DWG »DXF »JPG »PDF</p>	 <p>8068 Shoe molding 1/2" by 3/4" »DWG »DXF »JPG »PDF</p>
---	--	--

Miscellaneous Moldings

 <p>8231 Back band 3/4" by 1-1/16" » DWG » DXF » JPG » PDF</p>	 <p>8252 Base cap 13/16" by 1-5/8" » DWG » DXF » JPG » PDF</p>	 <p>8253 Beaded base cap 11/16" by 3/4" » DWG » DXF » JPG » PDF</p>
 <p>8261 Picture molding 3/4" by 1-3/4" » DWG » DXF » JPG » PDF</p>		

Rosettes

 <p>6501 Oval 6" by 4-1/2" » DWG » DXF » JPG » PDF</p>	 <p>6502 Round 4-1/4" by 4-1/4" » DWG » DXF » JPG » PDF</p>	 <p>8911 Droplet rosette 4-1/16" by 4-1/16" » DWG » DXF » JPG » PDF</p>
---	--	--